



Package

Usually, the aluminum conductor cables are packed in wooden reels. The AWG gauges can also be supplied in rolls.

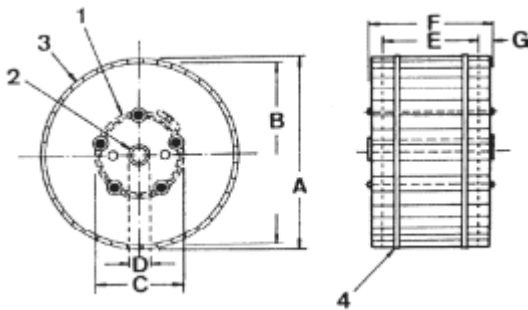
Wooden reels

The wooden reels have enough strength to support transportation and handling, and the storage during a 2-year period, since the NBR 7310 standard is fulfilled.

Inside reel, the material is identified with a label attached to disk, near cable end.

Externally, every reel is identified by a control number and type printed on both sides. The data referring the packed product, customer, destination, etc. are printed on polymeric labels, attached on both sides of reel.

The sketch and table showing types and dimensions of standard reels, used for product packing as per NBR 11137, are shown below.



| Reel type | Approximate dimensions (mm) | | | | | | Enclosure thickness (A-B) 2 (mm) | D-bushing internal diameter (mm) | Package approximate weight (kg) | Shipping volume (m ³) |
|-----------|-----------------------------|------|------|------|------|-----------------|---|----------------------------------|---------------------------------|-----------------------------------|
| | A | B | C | E | F | G (F-E) 2 | | | | |
| 62/25 | 700 | 650 | 350 | 250 | 326 | 38 | 25 | 83 | 35 | 0.16 |
| 65/45 | 700 | 650 | 350 | 450 | 526 | 38 | 25 | 83 | 45 | 0.26 |
| 80/45 | 850 | 800 | 350 | 450 | 550 | 50 | 25 | 83 | 65 | 0.40 |
| 100/60 | 1050 | 1000 | 500 | 600 | 726 | 63 | 25 | 89 | 130 | 0.80 |
| 125/70 | 1300 | 1250 | 600 | 700 | 826 | 63 | 25 | 89 | 195 | 1.40 |
| 125/100 | 1326 | 1250 | 600 | 1000 | 1126 | 63 | 38 | 89 | 250 | 1.98 |
| 150/80 | 1576 | 1500 | 700 | 800 | 926 | 63 | 38 | 89 | 290 | 2.30 |
| 170/80 | 1776 | 1700 | 800 | 800 | 952 | 76 | 38 | 89 | 390 | 3.00 |
| 170/100 | 1776 | 1700 | 800 | 1000 | 1152 | 76 | 38 | 89 | 430 | 3.63 |
| 190/100 | 1976 | 1900 | 1000 | 1000 | 1152 | 76 | 38 | 89 | 530 | 4.50 |
| 210/100 | 2176 | 2100 | 1200 | 1000 | 1152 | 76 | 38 | 89 | 645 | 5.45 |
| 230/100 | 2376 | 2300 | 1400 | 1000 | 1202 | 101 | 38 | 89 | 690 | 6.79 |